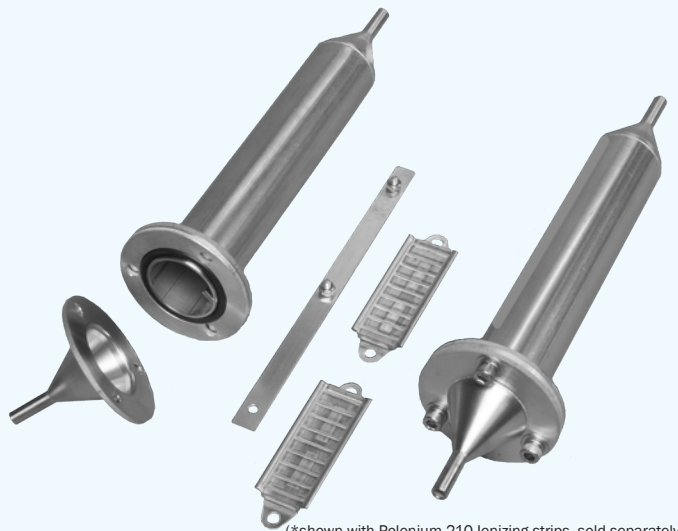


Trusted solutions  
for cloud and aerosol measurements

# Aerosol Charge Neutralizer

## Model 9000

Reproducible, size-dependent particle charge distributions for  
Scanning DMA & other applications



(\*shown with Polonium-210 Ionizing strips, sold separately)

### Features:

- Easy-to-install Polonium-210 sources (not included)
- Three-year source lifetime
- Well characterized bi-polar charge distribution
- Stainless steel construction
- Conveniently integrated into your sampling system
- Ultra-clean high vacuum brazing construction
- Ultra-safe and inexpensive off-the-shelf sources
- Total activity of 1 millicurie (37 MBq)
- Maximum flow rate 5 lpm
- Easy to clean

# BRECHTEL

Brechtel Manufacturing, Inc.  
1789 Addison Way  
Hayward, CA 94544  
510-732-9723  
sales@brechtel.com

# Dedicated to furthering scientific discovery

Neutralizer Body, assembled (left) and disassembled (right)



(\*shown with Polonium-210 Ionizing strips, sold separately)

## Applications

- Particle sampling requiring an equilibrium bipolar charge distribution
- Continuous monitoring of ambient size distributions using the Model 2100 SEMS or Model 9404 mSEMS
- Neutralization of atomizer output for instrument characterization
- Laboratory flow-tube reactor studies
- Cloud condensation nucleus studies
- Visibility reduction studies
- Aerosol health impacts
- Long-term climate and air quality monitoring
- Rapid number size distribution measurements

## Specifications

Parameter	Value
Sample flow rate	0-5 lpm
Total particle concentration	$10^7/\text{cm}^3$
Construction	Stainless steel
Size	1.25" dia. X 9" length/3 x 22.9 cm

## How to Order

Part No.	Description
9000	Charge neutralizer body (holds two Po strips, not included)
CHG-Kit	Maintenance kit for 9000 Charge Neutralizer



# BRECHTEL

Email us at [sales@brechtel.com](mailto:sales@brechtel.com)

Copyright ©2022 All specifications are subject to change without notice. BMI assumes no responsibility for inaccuracies in this document or for any obligation to update information in this document. BMI reserves the right to change, modify, transfer or otherwise revise this publication without prior notice.

\*Some products may be shown with optional accessories, which are sold separately. Items shown may not be to scale.